

Алматы (7273)495-231  
Ангарск (3955)60-70-56  
Архангельск (8182)63-90-72  
Астрахань (8512)99-46-04  
Барнаул (3852)73-04-60  
Белгород (4722)40-23-64  
Благовещенск (4162)22-76-07  
Брянск (4832)59-03-52  
Владивосток (423)249-28-31  
Владикавказ (8672)28-90-48  
Владимир (4922)49-43-18  
Волгоград (844)278-03-48  
Вологда (8172)26-41-59  
Воронеж (473)204-51-73  
Екатеринбург (343)384-55-89

Ижевск (3412)26-03-58  
Иваново (4932)77-34-06  
Иркутск (395)279-98-46  
Казань (843)206-01-48  
Калининград (4012)72-03-81  
Калуга (4842)92-23-67  
Кемерово (3842)65-04-62  
Киров (8332)68-02-04  
Коломна (4966)23-41-49  
Кострома (4942)77-07-48  
Краснодар (861)203-40-90  
Красноярск (391)204-63-61  
Курск (4712)77-13-04  
Курган (3522)50-90-47  
Липецк (4742)52-20-81

Киргизия (996)312-96-26-47

Магнитогорск (3519)55-03-13  
Москва (495)268-04-70  
Мурманск (8152)59-64-93  
Набережные Челны (8552)20-53-41  
Нижний Новгород (831)429-08-12  
Новокузнецк (3843)20-46-81  
Новыйск (3496)41-32-12  
Новосибирск (383)227-86-73  
Новыйск (3496)41-32-12  
Омск (3812)21-46-40  
Орел (4862)44-53-42  
Оренбург (3532)37-68-04  
Пенза (8412)22-31-16  
Петрозаводск (8142)55-98-37  
Псков (8112)59-10-37

Россия (495)268-04-70

Пермь (342)205-81-47  
Ростов-на-Дону (863)308-18-15  
Рязань (4912)46-61-64  
Самара (846)206-03-16  
Саранск (8342)22-96-24  
Санкт-Петербург (812)309-46-40  
Саратов (845)249-38-78  
Севастополь (8692)22-31-93  
Симферополь (3652)67-13-56  
Смоленск (4812)29-41-54  
Сочи (862)225-72-31  
Ставрополь (8652)20-65-13  
Сыктывкар (8212)25-95-17  
Сургут (3462)77-98-35  
Тамбов (4752)50-40-97

Казахстан (772)734-952-31

Тверь (4822)63-31-35  
Тольяти (8482)63-91-07  
Томск (3822)98-41-53  
Тула (4872)33-79-87  
Тюмень (3452)66-21-18  
Улан-Удэ (3012)59-97-51  
Ульяновск (8422)24-23-59  
Уфа (347)229-48-12  
Хабаровск (4212)92-98-04  
Чебоксары (8352)28-53-07  
Челябинск (351)202-03-61  
Череповец (8202)49-02-64  
Чита (3022)38-34-83  
Якутск (4112)23-90-97  
Ярославль (4852)69-52-93

<https://bongard.nt-rt.ru> || [bdi@nt-rt.ru](mailto:bdi@nt-rt.ru)

# Шкафы предварительной расстойки Medio FA Auto



For more information about the group mode, see pages « Groupe Auto »

## Automatic intermediate proofer with loading station

### Use

The automatic Medio FA Auto intermediate proofer with loading station is a machine designed for intermediate proofing of dough pieces aimed at bakers making up to 1,200 dough pieces per hour, from 100 to 1000 g depending on the model chosen.

### Operating principle

Once weighed and divided, the dough pieces are placed in felt gutters. Then they rest between 15 and 30 minutes, depending on the strength of the dough and quality of the mixing. This intermediate proofing period favours gluten relaxation and thus produces dough that is easier to mould. Once weighed and divided, the dough pieces are placed in felt pockets. Useable in discontinuous mode (by one person) or continuous mode (by two people), the side loading is manual while frontal unloading is motorised towards the moulder.

Integrated in the bread plant, one single operator is able to operate the Medio FA Auto into discontinuous and continuous mode, thanks to automatic loading and motorised unloading towards the moulder. The Medio FA Auto is fitted with a pallet type loading station, which load and distribute dough pieces in carriers with pockets. The loading station comes in standard with a T3 (600 mm long) or T4 (800 mm long) infeed conveyor belt and a flour duster.

Placed at the exit, the transfer conveyor belt is used to feed the moulder automatically. The Medio FA Auto is fitted with treated pockets avoiding sticking and maintaining a constant hygrometric level of the dough pieces (nylon mesh pockets are available on demand at no extra cost).

Major Auto moulders are recommended with the Medio FA Auto.

### Construction

- Epoxy painted (food-grade)
- Dough piece transfer belt to the right or the left (to be specified)
- Humidity extractors
- Hanging control panel
- Cast iron sprockets with steel drive shafts
- UV lamps, felt drying blower on the roof or on the rear of the proofer (to be specified at order)
- Quiet running
- Electrical thermal overload protection of the Major moulder and the out-feed belt TE
- On castors
- Control circuit : 24 V
- Supply voltage : 400 V 3PH + N 50/60 HZ

### Options

- Nylon mesh cup-shaped pockets on request without extra cost
- Transfer conveyor
- On request : lower height of 2240 mm for Medio intermediate proofer

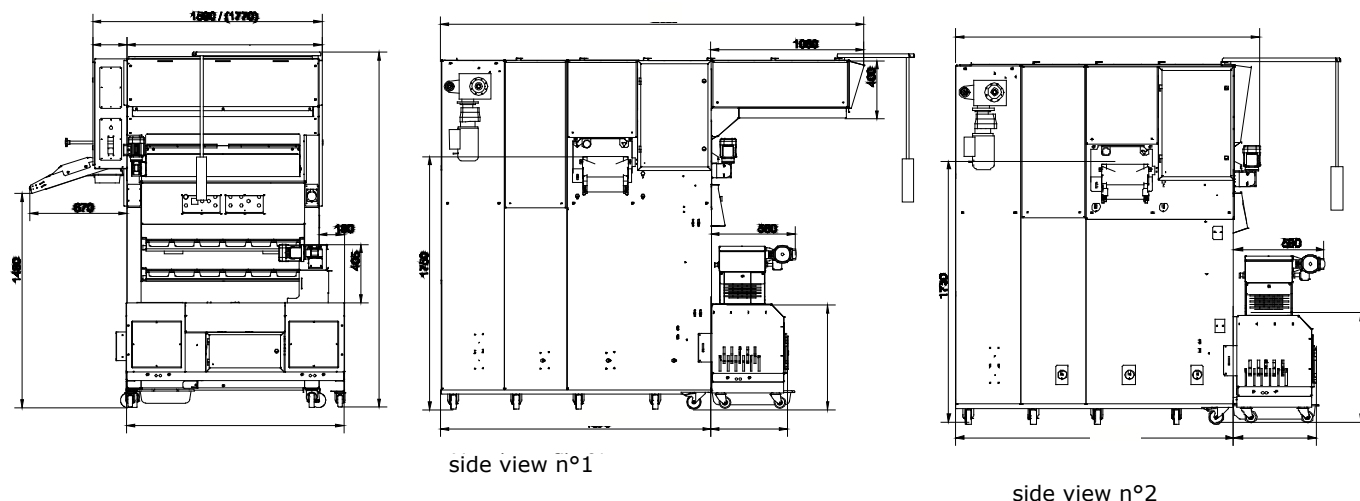
### Performances

- Number of carriers: 70
- Number of pockets per carrier: 6 or 7
- Medio FA Auto is equipped, depending on models, with : pockets for 650 g dough capacity maximum
- Or : pockets for 1000 g dough capacity maximum

### The advantages

- High storage capacity
- Full loading
- Possibility of unloading the machine while continuing to load
- Very easy to use
- Silent
- Adapted for use with any Bongard moulder

# Medio FA 10 Auto intermediate proofer with loading station

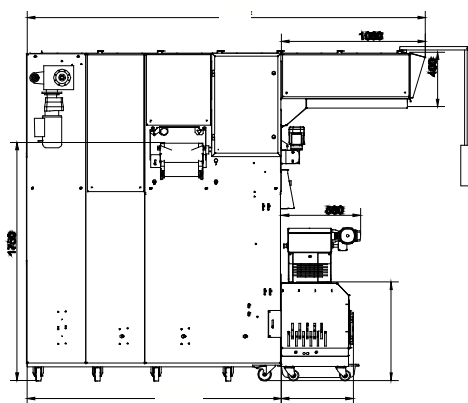
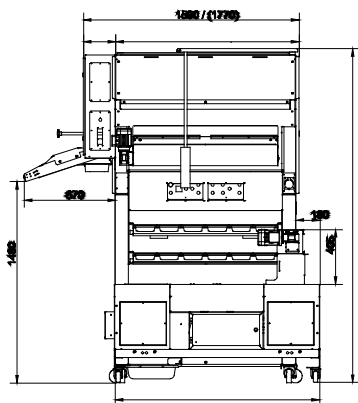


Options
Conveyor on distributor

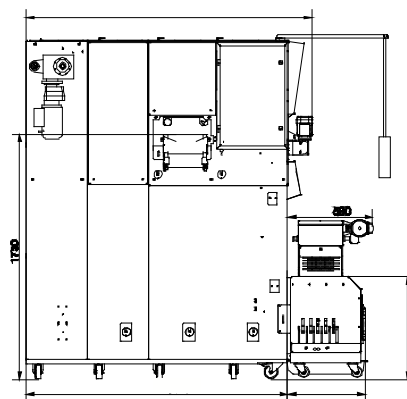
General features		FA10 650-6-62	FA10 650-6-74 FA10 1000-5-74	FA10 650-6-84 FA10 1000-5-84
Width of carriers	(mm)	1060	1060	1060
Number of carriers		62	74	84
Number of pockets (total)	650 g	Mini-Maxi 6/372	6/444	6/504
	1000 g	Mini-Maxi 5/310	5/370	5/420
Number of pockets (total)	650 g	Mini-Maxi 6/312	6/378	6/444
	1000	Mini-Maxi 5/260	5/315	5/370
Dough weight (total)	650 g	Mini-Maxi 80 - 650	80 - 650	80 - 650
	1000	Mini-Maxi -	80 - 1000	80 - 1000
<b>Drawing, Side, View</b>		<b>2</b>	<b>1</b>	<b>2</b>
A	(mm)	1350	1350	1350
B	(mm)	1440	1440	1870
C	(mm)	2460	2460	2460
D - loading station	(mm)	1510	1510	1510
E - loading station	(mm)	530	530	530
F - loading station	(mm)	710	710	710
G - control panel	(mm)	240	240	240
H	(mm)	1610	2500	2050
Net weight Medio only *	(kg)	850	950	1000
Net weight distributor	(kg)	150	150	150
Puissance Médio seule	(kW)	0,95	0,95	0,95
Electrical power - including all options - with DVP, Major and TE	(kW)	3,6	3,6	3,6

Packing for Models FA 10					
Mainland or By sea : (Wooden Crate)	Model FA 10		FA10 650-6-62	FA10 650-6-74 FA10 1000-5-74	FA10 650-6-84 FA10 1000-5-84
	Width	(mm)	1900	1900	1900
	Length	(mm)	2650	2650	2650
	Height	(mm)	1800	1800	1800
	Weight	(kg)	1245	1300	1350

# Medio FA 12 Auto intermediate proofer with loading station



side view n°1



side view n°2

General features		FA12 650-7-62	FA12 650-7-74	FA12 650-7-84
		FA12 1000-6-62	FA12 1000-6-74	FA12 1000-6-84
Width of carriers	(mm)	1240	1240	1240
Number of carrier		62	74	84
Number of pockets ( total)	650	7/434	7/518	7/588
	1000	6/372	6/444	6/504
Number of pockets (usefull)	650	7/364	7/441	7/518
	1000	6/312	6/378	6/444
Dough weight mini-maxi (g)	650	80 - 650	80 - 650	80 - 650
	1000	80 - 1000	80 - 1000	80 - 1000
<b>Schéma. Vue de profil</b>		<b>2</b>	<b>1</b>	<b>2</b>
A	(mm)	1530	1530	1530
B	(mm)	1440	1440	1870
C	(mm)	2460	2460	2460
D - loadin station	(mm)	1690	1690	1690
E - loading station	(mm)	530	530	530
F - loading station	(mm)	710	710	710
G - control panel	(mm)	240	240	240
H	(mm)	1610	2500	2050
Net weight Medio only *	(kg)	900	1050	1100
Net weight distributor	(kg)	170	170	170
Power Medio only	(kW)	0,95	0,95	0,95
Electrical power - including all options - with DVP, Major and TE	(kW)	3,6	3,6	3,6

Алматы (7273)495-231  
 Ангарск (3955)60-70-56  
 Архангельск (8182)63-90-72  
 Астрахань (8512)99-46-04  
 Барнаул (3852)73-04-60  
 Белгород (4722)40-23-64  
 Благовещенск (4162)22-76-07  
 Брянск (4832)59-03-52  
 Владивосток (423)249-28-31  
 Владикавказ (8672)28-90-48  
 Владимир (4922) 49-43-18  
 Волгоград (844)278-03-48  
 Вологда (8172)26-41-59  
 Воронеж (473)204-51-73  
 Екатеринбург (343)384-55-89

Ижевск (3412)26-03-58  
 Иваново (4932)77-34-06  
 Иркутск (395)279-98-46  
 Казань (843)206-01-48  
 Калининград (4012)72-03-81  
 Калуга (4842)92-23-67  
 Кемерово (3842)65-04-62  
 Киров (8332)68-02-04  
 Коломна (4966)23-41-49  
 Кострома (4942)77-07-48  
 Краснодар (861)203-40-90  
 Красноярск (391)204-63-61  
 Курск (4712)77-13-04  
 Курган (3522)50-90-47  
 Липецк (4742)52-20-81

Киргизия (996)312-96-26-47

Магнитогорск (3519)55-03-13  
 Москва (495)268-04-70  
 Мурманск (8152)59-64-93  
 Набережные Челны (8552)20-53-41  
 Нижний Новгород (831)429-08-12  
 Новокузнецк (3843)20-46-81  
 Кемерово (3842)65-04-62  
 Новосибирск (383)227-86-73  
 Ноябрьск (3496)41-32-12  
 Омск (3812)21-46-40  
 Орел (4862)44-53-42  
 Оренбург (3532)37-68-04  
 Пенза (8412)22-31-16  
 Петрозаводск (8142)55-98-37  
 Псков (8112)59-10-37

Россия (495)268-04-70

Пермь (342)205-81-47  
 Ростов-на-Дону (863)308-18-15  
 Рязань (4912)46-61-64  
 Самара (846)206-03-16  
 Саранск (8342)22-96-24  
 Санкт-Петербург (812)309-46-40  
 Саратов (845)249-38-78  
 Севастополь (8692)22-31-93  
 Симферополь (3652)67-13-56  
 Смоленск (4812)29-41-54  
 Сочи (862)225-72-31  
 Ставрополь (8652)20-65-13  
 Сыктывкар (8212)25-95-17  
 Сургут (3462)77-98-35  
 Тамбов (4752)50-40-97

Казахстан (772)734-952-31

Тверь (4822)63-31-35  
 Тольятти (8482)63-91-07  
 Томск (3822)98-41-53  
 Тула (4872)33-79-87  
 Тюмень (3452)66-21-18  
 Улан-Удэ (3012)59-97-51  
 Ульяновск (8422)24-23-59  
 Уфа (347)229-48-12  
 Хабаровск (4212)92-98-04  
 Чебоксары (8352)28-53-07  
 Челябинск (351)202-03-61  
 Череповец (8202)49-02-64  
 Чита (3022)38-34-83  
 Якутск (4112)23-90-97  
 Ярославль (4852)69-52-93